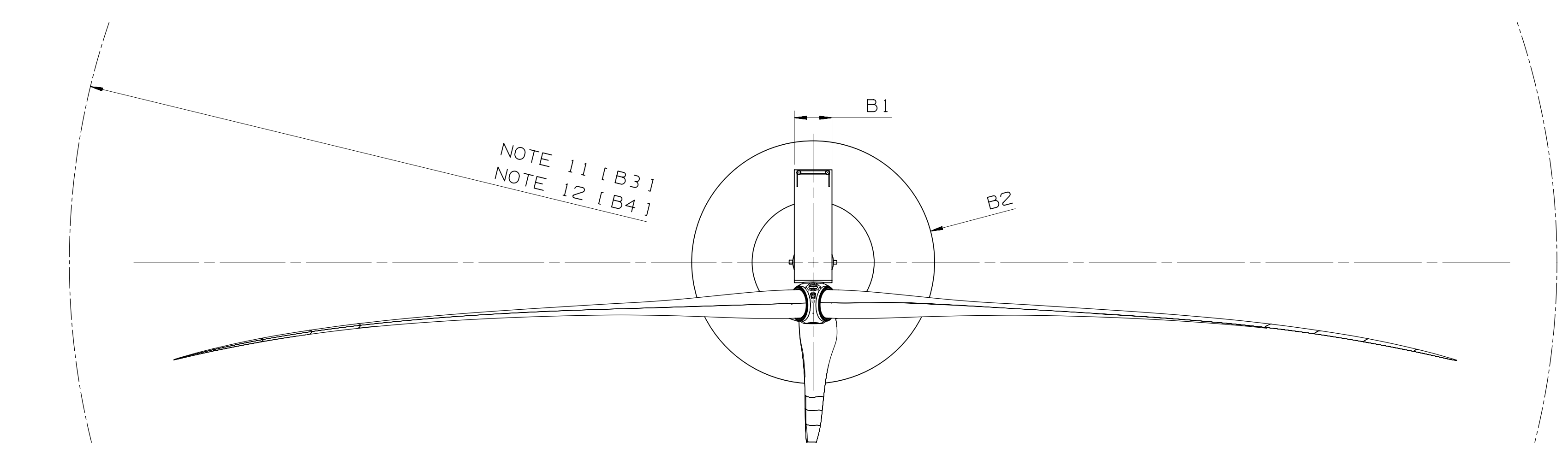
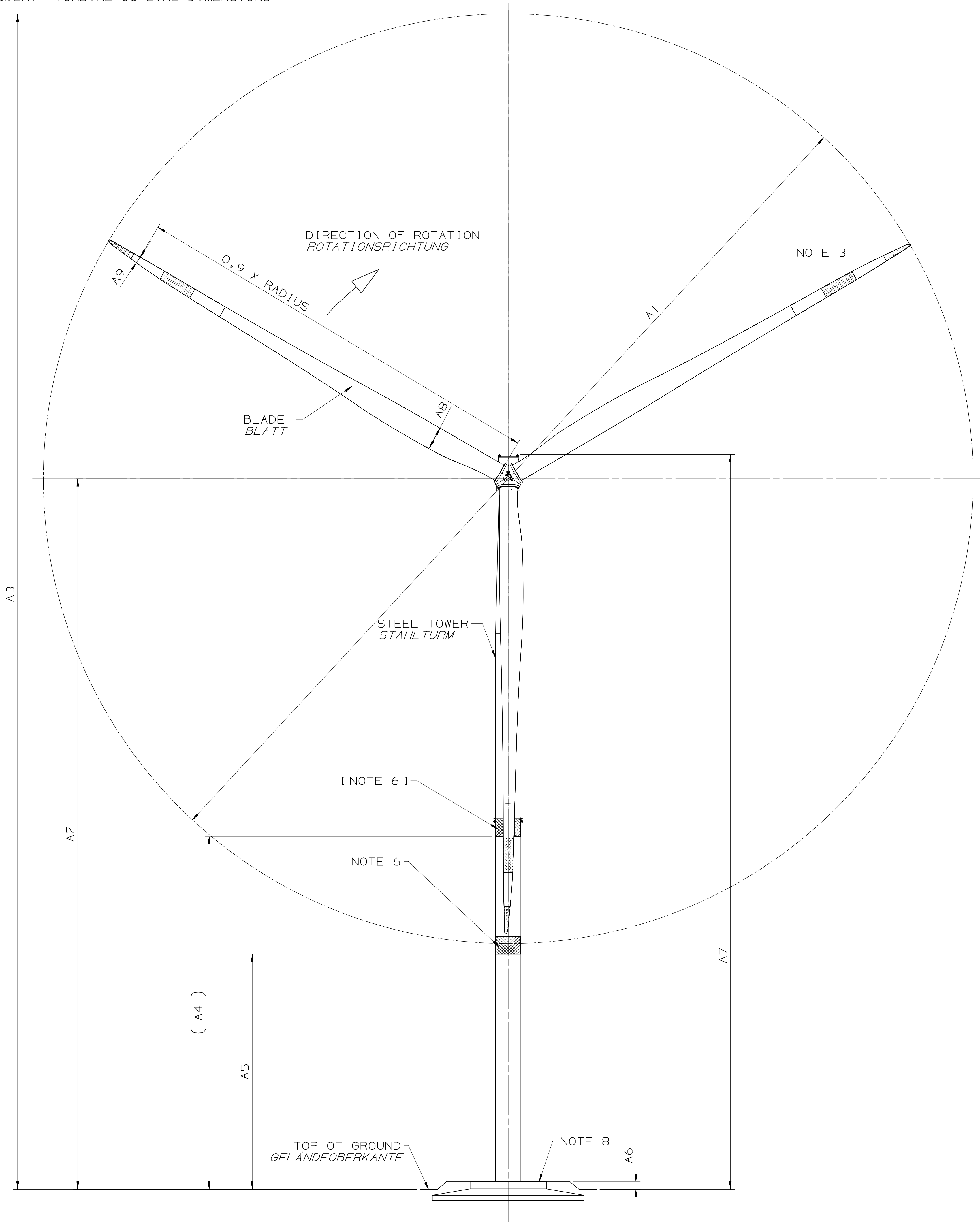


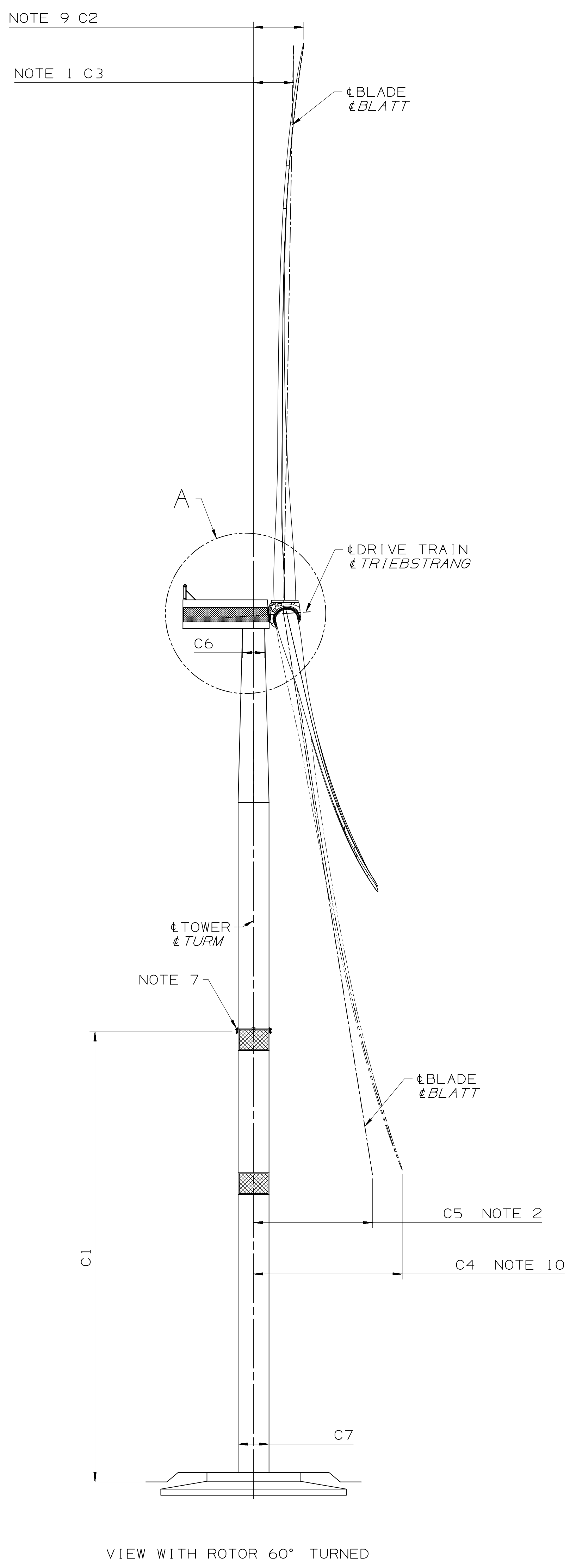
NOTES:
SEE DOCUMENT "TURBINE OUTLINE DIMENSIONS"



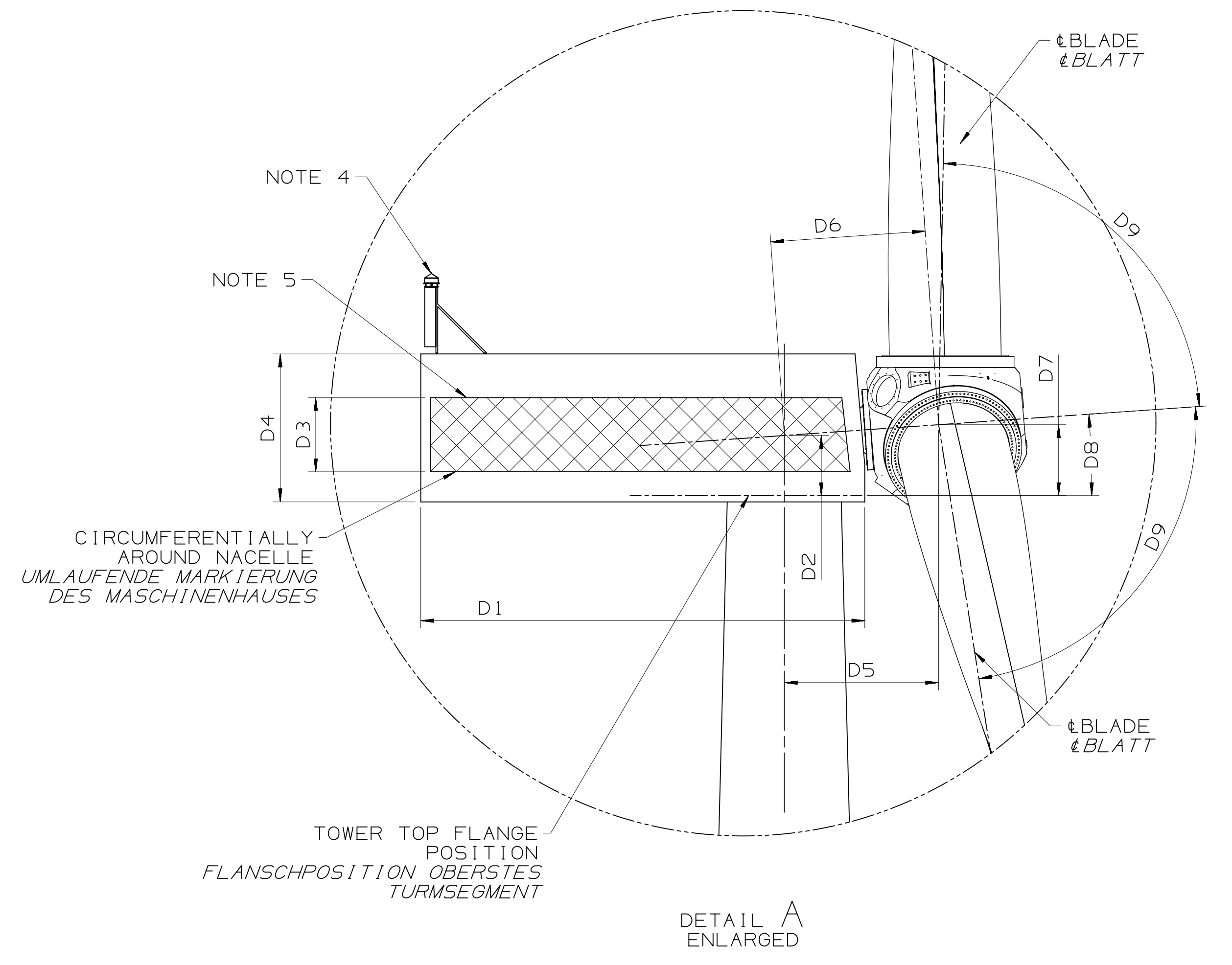
THIS DRAWING IS PREPARED IN ACCORDANCE WITH ISO 1101-2017

REVISION HISTORY				
REV	ZONE	DESCRIPTION	DATE (YYYY-MM-DD)	APPROVED
-	-	SEE PLM FOR DETAILS		

REVISE ON CAD ONLY
NX PART: 450W1333



VIEW WITH ROTOR 60° TURNED



DETAIL A ENLARGED

© COPYRIGHT 2019 General Electric Company (USA).
All rights reserved. The information herein is Proprietary and Technically Exclusive content that is solely owned by General Electric Company and/or its affiliates. Thus, it is being provided with the explicit expectation of restricted and privileged use. All persons, or legal entities receiving this information shall be deemed by the act of its receipt to have contractually agreed to make no duplications, reproductions of any nature by any means, modifications, disclosures, or use any portion of this material except as is expressly authorized in writing by General Electric Company and/or its legitimate affiliates.

UNLESS OTHERWISE SPECIFIED DIMENSIONS ARE IN MILLIMETERS		DWG TYPE OUTLINE		GE RENEWABLE ENERGY GENERIC OUTLINE DRAWING CYPRESS	
TOLERANCE CLASS: ISO 2768-m ISO 8015 H		DRAWN 105015424 DRAWN DATE (YYYY-MM-DD) 2019-12-03 CHECK SEE PLM			
FIRST ANGLE PROJECTION		CHECK DATE (YYYY-MM-DD)		SIZE CAGE CODE DWG NO	
		ENGR DATE (YYYY-MM-DD)		A0 NONE 450W1333	
		ADDITIONAL APPROVALS SEE PLM FOR APPROVAL INFORMATION		SCALE NONE ACTUAL WT NA	
MATERIAL: NA		MLI/PBM CODE/UNIT TYPE DWG SOURCE NX12 SIMILAR TO		SHEET 1 OF 1	
DOL CODE US-SC, GREENVILLE					

-CONFIDENTIAL-

UNPUBLISHED 02/20/11

450W1333